

# MODEL TL-3 DUAL CONTROL GRAPPLE TRUCK



*The TL-3 Lightning Loader® is perfect for picking up oversized trash items such as brush, logs, limbs, large furniture, and appliances.*

## “The most versatile trash-loading system on the market!”

- Reaches 9' below ground level
- 3 year structural warranty
- Reduce Workers' Comp. claims
- Maximum boom reach of 20' includes 4' tip extension for added maneuverability
- Greaseless dual walk-thru controls
- Over 750 cities & counties use Lightning Loaders®



*Single cylinder continuous rotation bucket*



*Ideal for residential collection*



*Optional top-mount controls*

**MANUFACTURING MUNICIPAL  
GRAPPLE TRUCKS  
FOR OVER  
25 YEARS!**



**EFFICIENT! VERSATILE! AFFORDABLE!**

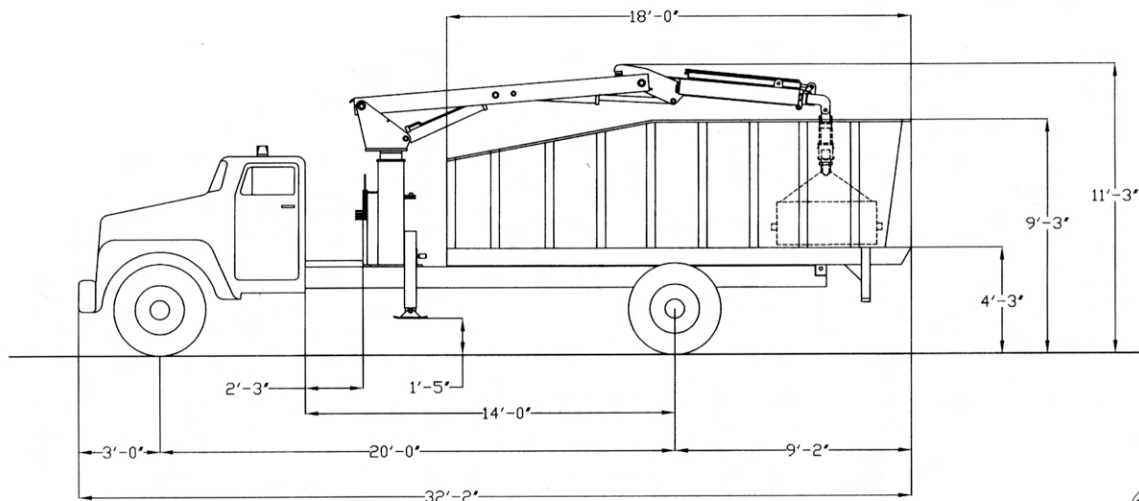
**Petersen Industries, Inc.**

**1-800-930-LOAD (5623)**

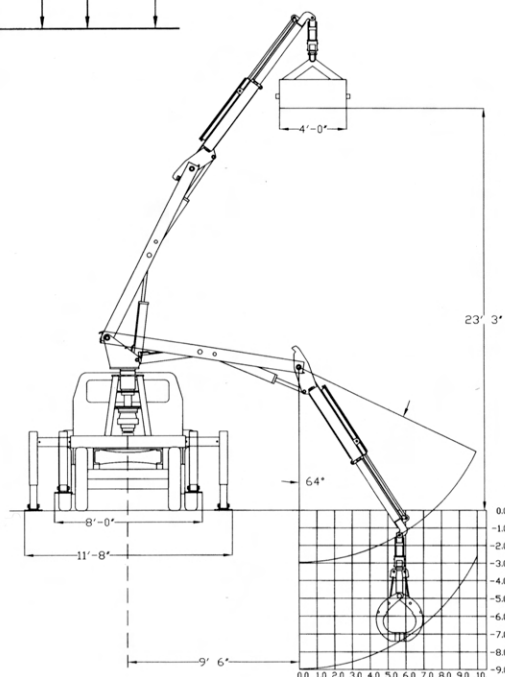
**[www.PetersenInd.com](http://www.PetersenInd.com)**



# Specifications & Technical Data\*



\* Actual dimensions and weights may vary due to chassis selection



## General

Reach (from centerline rotation)	20 feet
Main Boom and Tip Boom	16 feet
Tip Extension	4 feet
Tare Weight (empty)	23,000 lbs
Front Axle Weight	8,510
Rear Axle Weight	14,490 lbs
Outrigger Span	11'8"
Storage Height	11'3"
Dump Body Hoist Capacity	16 tons

## Lifting Capacity

10 Foot Radius	7,100 lbs
16 Foot Radius	4,400 lbs
20 Foot Radius	3,200 lbs

Weight of bucket and/or attachments must be subtracted from lift capacities shown. Standard bucket weights appx. 1000 lbs. Capacities shown do not exceed 85% of vehicle tipping moment with outriggers fully extended on firm, level ground.

## Bucket Features

All purpose clamshell design, 4 feet wide with an opened width of 5 feet. High impact tempered steel used on bucket cutting edges for extended life. Reverse curve shape helps prevent scalping of lawns. Continuous rotation. No hoses below bucket rotator.

## Recommended Chassis Specification (Minimum)

Body Style	Conventional Cab
Cab-to-Axle Dimension	168"
Front Axle Rating	12,000 lbs
Rear Axle Rating	21,000 lbs
Gross Vehicle Weight Rating	33,000 lbs
Frame	1,500,000 RBM
Engine	210 HP Diesel
Transmission	Automatic

## Trash Dump Body

18 feet, 24 cubic yard capacity is standard (larger sizes available). 3/16" solid plate floor on cross members with 12" centers.

## Operator Controls

Dual manual controls (greaseless) for outriggers and loader on both sides of the truck for easy access and visibility. Top-mount controls are available.

## Structural

A-frame pedestal design allows flexing under repeated load shocks. Replaceable Cast Nylon bushings used in head assembly. Head assembly is stress relieved. Reinforced connection points with hardened pins and replaceable bushings. Counterbalance valves used on boom cylinders and pilot operated check valves used on verticle outrigger cylinders.



Your Authorized Dealer is:

**Municipal Equipment Sales, Inc.**

Mailing Address: PO Box 1233  
 Location: 208 Bell Place  
 Woodstock, GA 30188



Local: 770-928-0424  
 Fax: 770-928-7512  
 Nationwide Toll Free: 1-800-782-2243  
 Email: sales@municipalequipment.com  
 Web: www.municipalequipment.com



\* We reserve the right to change product design and specifications at any time without notice. There maybe more specifications than are listed here. Consult your Petersen dealer for complete specifications.